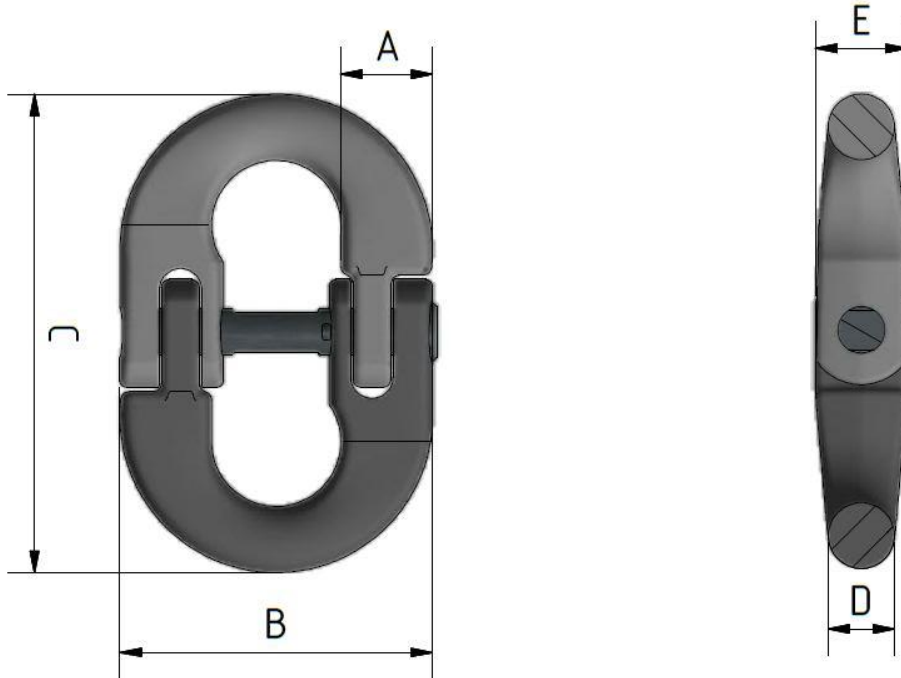


Links



Hinge Link

Offshore accessory to be used for Temporary and Mobile Mooring



| SWL | A | B | C | D | E |
|--------|-----|-----|-----|----|-----|
| 110 to | 102 | 360 | 560 | 76 | 108 |

Application: Temporary and Mobile Mooring

Manufactured & Tested: in Germany by Feubo

Material: Forged Steel - Grade R4, R5